



Product data

Specification item	Value	Unit
Product name	MINI JOLLY EASY DALI	
Order code	151140	
EAN (GTIN)	8010703888517	
Pieces per box	50	
Product weight	110	Gr
Made in	Italy	

Electrical input data

Specification item	Value	Unit	Condition
Rated input voltage	110...127 / 220...240	Vac	
Input voltage AC range	99...264	Vac	
Input voltage DC range	176...280	Vdc	Factory default 15% EOFi= 0,13
Rated input frequency	50...60	Hz	
Rated input current	0,126	A	Referred to Vin = 230 V, 100% load
Rated input power	29,11	W	Referred to Vin = 230V, 100% load
Power factor	0,95	λ	Pout > 7W
THD	< 10	%	Referred to Vin = 230 V, 100% load
Efficiency	86	%	Referred to Vin = 230 V, 100% load
Stand-by Power	< 0,5	W	
Isolation input to output	SELV		

Electrical output data

Specification item	Value	Unit	Condition
Regulation method	Constant current / Constant voltage		
Output voltage	2...54	Vdc	
Output voltage max.	59	V	Open load
Output current	150...900	mA	
Output current min programmable	150	mA	
Output current min dimming	7	mA	
Output current tolerance	5	%	
Output power	0,3...25	W	
Output current ripple	< 3	%	
Output Pst LM	< 1		
Output SVM	< 0,4		

Labels

Labels are for illustrative purposes only and may differ from the actual product

cod.151140 MINI JOLLY EASY DALI
 MADE IN ITALY Dimmable AC/DC P/S for LED LED控制装置
 via Parma 14, 21047 Saronno (VA) Italy, www.tci.it
 • tc
 PRI: 110~127V~ 50/60Hz λ_c=0,62 C=0,99(0,95@Pout>3W)
 220-240V~ 50/60Hz λ_c=0,27 C=0,99(0,95@Pout>9W)
 I_c=0,13~0,16A AM DIMMING AM调光方式
 SEC: 150-900mA; U_{out}=59V~; *24V acc.to the S1 selection
 Prated= 0,3-13,5W @110-127V~
 Prated= 0,3-22-25W @220-240V~ 47/25
 ta= -25...45°C; tc= 75°C
 176-280V == emerg. range; I_{max}=0,16A
 (应急照明功能不适用于CCC)
 DIMMING: DALI / PushSwitch ADIM port for at least 2 sec to reset

 PRI, DA1, DA2: 0,75 - 1,5 □
 SEC, ADIM: 0,5 - 1,5 □
 AWG 20-16
 8,5 - 9,5mm FW188V+257
 ON ← S1
 DA1: supplementary insulation to SELV circuit
 DA1: 对SELV线路符合附加绝缘
 DA2: basic insulation to PRI circuit
 DA2: 对输入线路符合基本绝缘
 SELV ADIM SEC
 PRI L N DA2 DA1

Pout 110-120V	Pout 220-240V	SEC	S1				
			1	2	3	4	5
8,1 W	8,1 W	150 mA	-	-	-	-	-
10,8 W	10,8 W	200 mA	-	-	-	-	ON
13,5 W	13,5 W	250 mA	-	-	-	ON	-
13,5 W	16,2 W	300 mA	-	-	-	ON	ON
13,5 W	18,9 W	350 mA	-	-	ON	-	-
13,5 W	21,6 W	400 mA	-	-	ON	ON	-
13,5 W	24,3 W	450 mA	-	-	ON	ON	-
13,5 W	25 W	500 mA	-	-	ON	ON	ON
13,5 W	25 W	550 mA	-	ON	-	-	-
13,5 W	25 W	600 mA	-	ON	-	-	ON
13,5 W	25 W	650 mA	-	ON	-	-	ON
13,5 W	25 W	700 mA	-	ON	-	ON	ON
13,5 W	25 W	750 mA	-	ON	ON	-	-
13,5 W	25 W	800 mA	-	ON	ON	-	ON
13,5 W	25 W	850 mA	-	ON	ON	ON	-
13,5 W	25 W	900 mA	-	ON	ON	ON	ON
13,5 W	22 W	24 V	ON	ON	ON	ON	ON

Before use, always check S1 dipswitch settings
每次使用前请检查拨码开关 S1 的设置

Operating window 230V

Pout W	Vout DC	Iout mA
8,1	2...54	150
10,8	2...54	200
13,5	2...54	250
16,2	2...54	300
18,9	2...54	350
21,6	2...54	400
24,3	2...54	450
25	2...50	500
25	2...45,5	550
25	2...42	600
25	2...38,5	650
25	2...36	700
25	2...33,5	750
25	2...31,5	800
25	2...29,5	850
25	2...28	900
22	24 cost.	900

Operating window 110V

Pout W	Vout DC	Iout mA
8,1	2...54	150
10,8	2...54	200
13,5	2...54	250
13,5	2...45	300
13,5	2...38	350
13,5	2...33	400
13,5	2...30	450
13,5	2...27	500
13,5	2...24	550
13,5	2...22	600
13,5	2...20	650
13,5	2...19	700
13,5	2...18	750
13,5	2...16	800
13,5	2...16	850
13,5	2...15	900
13,5	24 cost.	900

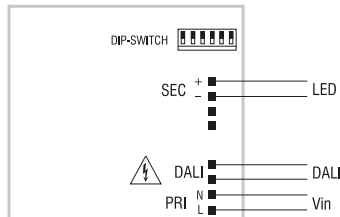
Electrical data controls input

Specification item	Value	Unit	Condition
Control method	DALI-2, ADIM, CLO, PUSH SWITCH		
Dimming range	1...100%	%	

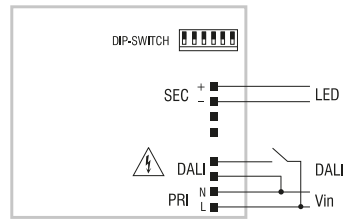
Wiring and connections

Specification item	Value	Unit	Condition
Input wire cross section	0.75...1.5 / 18...15	mm ² / AWG	L - N
Input wire strip length	8.5...9.5	mm	
Output wires cross section	0.5...1.5 / 20...15	mm ² / AWG	SEC, ADIM
Output wire strip length	8...8.5	mm	
Control wire cross section	0.75...1.5 / 18...15	mm ² / AWG	DA - DA
Control wire strip length	8.5...9.5	mm	
Max. cable length		cm	Max. LED distance see page info 8

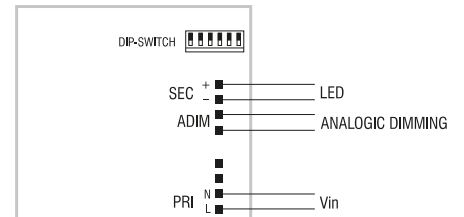
Wiring diagrams



DALI diagram - Collegamento DALI

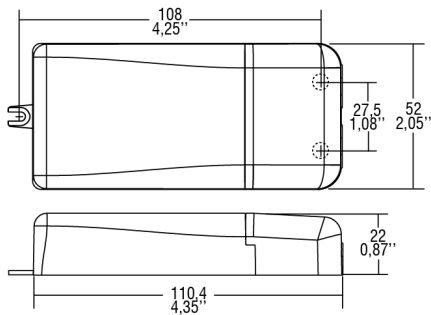


PUSH SWITCH diagram - Collegamento PUSH SWITCH



ADIM diagram - Collegamento ADIM

Dimensions



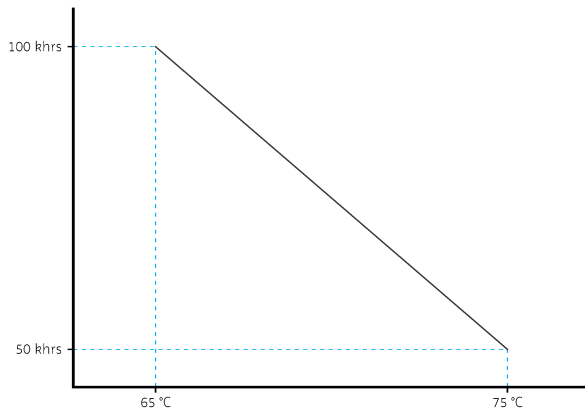
Insulation

Specification item	Output	Controls	Earth
Input	double or reinforced	basic	N/A
Output	N/A	double or reinforced	N/A

Operation temperatures and humidity

Specification item	Value	Unit	Condition
Ambient temperature	-25...45	°C	
Tc	75	°C	Maximum temperature measured at Tc point
Maximum housing temperature	110	°C	In case of failure

Temperature/Life



Storage temperature and humidity

Specification item	Value	Unit	Condition
Ambient temperature	-30...85	°C	
Relative humidity	5...85	%	Non condensing

Programmable features

Specification item	Available	Default setting	Condition
Set Adjustable Output Current (AOC)	DIP-SWITCH	150mA	
Constant Light Output (CLO)	Yes	OFF	
Push Switch	Yes	ON	
Min Dimming Level	Yes	1%	
DC emergency level	Yes	OFF	Default 15% EOFi range = 1...100%
DALI part 251	Yes	OFF	
ADIM	Yes	ON	Linear, linear soft start, logarithmic

Features

Specification item	Value	Condition
Open load	Yes	
Short circuit	Yes	
Over load and thermal protection	Yes	C.5.a
Hot plug	No	
Suitable for fixtures with protection class	class I/II	
DALI part 101	Yes	
DALI part 102	Yes	
DALI part 207	Yes	
DALI part 252	Yes	
DALI part 253	Yes	

In rush current

Specification item	Value	Unit	Condition
In rush current	5/50	A / usec	
Drivers / MCB 16A type B	50	pcs	

Driver touch current / protective conductor current

Specification item	Value	Unit	Condition
Typical Protective Conductor Current	0,104	mA	

Surge immunity

Specification item	Value	Unit	Condition
Mains surge immunity (diff. mode)	2	kV	
Mains surge immunity (comm. mode)	4	kV	

Application info

Specification item	Value
Approval marks	CE ENEC EAC RCM UL CCC UKCA
Ingress Protection classification (IP)	20
Application	Compact dimmable indoor
Mounting type	Independent
Cut hole diameter	Ø55

Performance curves

