



## Product data

Specification item	Value	Unit
Product name	DC MINI JOLLY DALI	
Order code	151403	
EAN (GTIN)	8010703382008	
Pieces per box	50	
Product weight	106	Gr
Made in	Italy	

## Electrical input data

Specification item	Value	Unit	Condition
Rated input voltage	110...127 / 220...240	Vac	
Input voltage AC range	99...264	Vac	
Input voltage DC range	176...280	Vdc	Factory default 100% EOFi= 1
Rated input frequency	50...60	Hz	
Rated input current	0,064	A	Referred to Vin = 230 V, 100% load
Rated input power	14,04	W	Referred to Vin = 230V, 100% load
Power factor	0,95	$\lambda$	
THD	< 10	%	Referred to Vin = 230 V, 100% load
Efficiency	87	%	Referred to Vin = 230 V, 100% load
Stand-by Power	< 0,5	W	
Isolation input to output	SELV		

## Electrical output data

Specification item	Value	Unit	Condition
Regulation method	Constant current		
Output voltage	3...49	Vdc	
Output voltage max.	55	V	Open load
Output current	250...700	mA	
Output current min programmable	250	mA	
Output current min dimming	7	mA	
Output current tolerance	5	%	
Output power	1...20	W	
Output current ripple	< 3	%	
Output Pst LM	< 1		
Output SVM	< 0,4		

## Label

Labels are for illustrative purposes only and may differ from the actual product

cod.151403 **DC MINI JOLLY DALI** DALI  
 Dimmable AC/DC PIS for LED LED控制装置  
 MADE IN ITALY via Parma 14, 21047 Saronno(VA) Italy, www.tci.it tc TO2-4728  
 PRI: 110-240V~ 50/60Hz  $\lambda_{max}=0,95$   $I_{max}=0,18A$   
 SEC: 20Wmax(15W@110-120 V); 250-700mA(C.C.)  
 (Uout = 59V ---) acc. to the S1 sel.  
 176-276Vdc em. range,  $I_{max}=0,14A$   
 176-276V直流: 电流  $I_{max}=0,14A$   
 ta=25...45°C; tc=75°C FW: 277+290

Pout	SEC	1	2	3	4
12 W	250 mA	-	-	-	-
17 W*	350 mA	-	-	ON	-
19 W*	400 mA	-	ON	-	-
20 W*	450 mA	-	ON	-	-
20 W*	500 mA	-	ON	ON	-
20 W*	550 mA	-	ON	-	ON
20 W*	600 mA	-	ON	ON	-
20 W*	700 mA	-	ON	ON	ON

Before use, always check S1 dipswitch settings  
 每次使用前请检查拨码开关 S1 的设置

DA1: supplementary insulation to SELV circuit. 对SELV电路符合附加绝缘  
 DA2: basic insulation to PRI circuit. 对输入线路符合基本绝缘

PR L N DA2 DA1 NTC SEC  
 SELV + - +  
 4  
 3  
 2  
 1

## Operating window 230V

Pout W	Vout DC	Iout mA
12	15...49	250
17	10...49	350
19	5...49	400
20	5...45	450
20	5...40	500
20	3...36	550
20	3...33	600
20	3...28	700

## Operating window 110V

Pout W	Vout DC	Iout mA
12	15...49	250
15	10...42	350
15	5...37	400
15	5...45	450
15	5...30	500
15	3...27	550
15	3...25	600
15	3...21	700

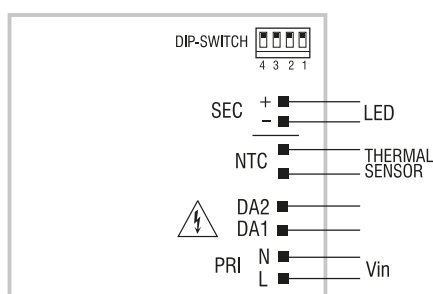
## Electrical data controls input

Specification item	Value	Unit	Condition
Control method	DALI-2		Default dimming: AM
Dimming range	1...100%	%	

## Wiring and connections

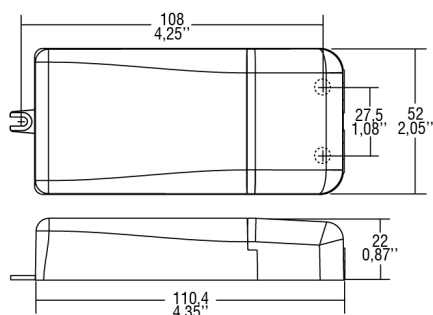
Specification item	Value	Unit	Condition
Input wire cross section	0.75...1.5 / 18...15	mm <sup>2</sup> / AWG	L - N
Input wire strip length	8.5...9.5	mm	
Output wires cross section	0.5...1.5 / 20...15	mm <sup>2</sup> / AWG	SEC, NTC
Output wire strip length	8...8.5	mm	
Control wire cross section	0.75...1.5 / 18...15	mm <sup>2</sup> / AWG	DA - DA
Control wire strip length	8.5...9.5	mm	
Max. cable length		cm	Max. LED distance see page info 8

## Wiring diagram



DALI diagram - Collegamento DALI

## Dimensions



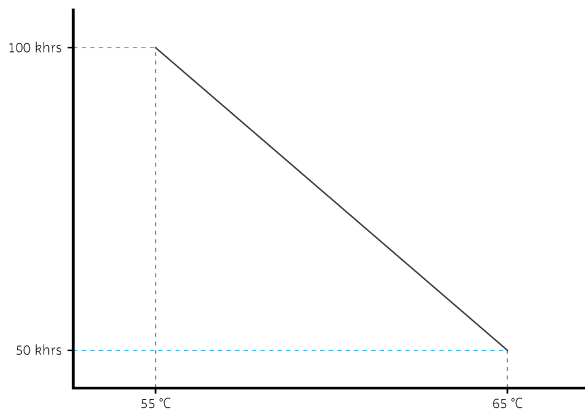
## Insulation

Specification item	Output	Controls	Earth
Input	double or reinforced	basic	N/A
Output	N/A	N/A	N/A

## Operation temperatures and humidity

Specification item	Value	Unit	Condition
Ambient temperature	-25...45	°C	
Tc	75	°C	Maximum temperature measured at Tc point
Maximum housing temperature	120	°C	In case of failure

## Temperature/Life



## Storage temperature and humidity

Specification item	Value	Unit	Condition
Ambient temperature	-30...85	°C	
Relative humidity	5...85	%	Non condensing

## Programmable features

Specification item	Available	Default setting	Condition
Set Adjustable Output Current (AOC)	DIP-SWITCH	250mA	
Min Dimming Level	Yes	1%	

## Features

Specification item	Value	Condition
Open load	Yes	
Short circuit	Yes	
Over load and thermal protection	Yes	C.5.a
Hot plug	No	
Suitable for fixtures with protection class	class I/II	
Emergency Lighting (EL)	Yes	
DALI part 101	Yes	
DALI part 102	Yes	
DALI part 207	Yes	

## In rush current

Specification item	Value	Unit	Condition
In rush current	5/50	A / usec	
Drivers / MCB 16A type B	50	pcs	

## Driver touch current / protective conductor current

Specification item	Value	Unit	Condition
Typical Protective Conductor Current	0,104	mA	

## Surge immunity

Specification item	Value	Unit	Condition
Mains surge immunity (diff. mode)	2	kV	
Mains surge immunity (comm. mode)	3	kV	

## Application info

Specification item	Value
Approval marks	CE ENEC EAC RCM (DO NOT COVER) SASO IRAM CCC UKCA BIS
Ingress Protection classification (IP)	20
Application	Compact dimmable indoor
Mounting type	Independent
Cut hole diameter	Ø55

## Performance curves

